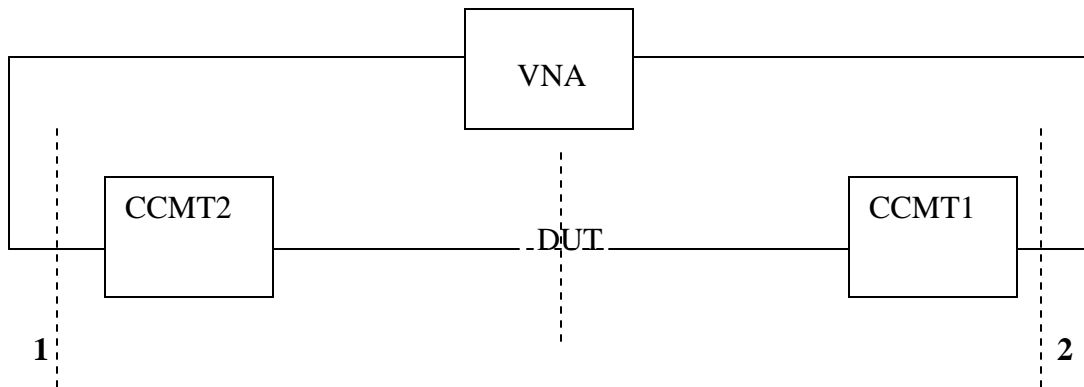


IN-SITU CALIBRATION PROCEDURE FOR 2 PHT AND 2 PMT TUNERS IN THE SETUP



IMPORTANT: VNA should be calibrated in 1-2 reference plane !

- 1) All two tuners are initialized .In order to have 50 Ohm line tuners can also be tuned to 50 Ohm.
- 2) TRL calibration is applied from WinNoise software (WinCCMT→Measure→Noise or WinCCMT→Utilities→Manual Tune). In WinNoise the option TRL/TRM (meas) should be activate from Calibration→Components menu. After CONA and CONB files are created in the directory that is specified in WinCCMT→File→Configure→Directories , Calculation should be done with specifying the calibration type (TRL) and options (Short or open). After that, verification must be run.
- 3) Calibration of the T1 is de-embed type with de-embedding CONA in the Input section.
- 4) Calibration of T2 is de-embed with CONB de-embed in the Output section.

Calibrated files will be put in the directory specified in:
WinCCMT→File→Configure→Directories→Tuner Cal
Those files should be integrated in the Load Pull setup
(WinCCMT→Measure→Passive Load Pull→Start→Load Setup).